



You are at  
 Cooling System >> Volcano Series  
 >> Retailbox Solutions

## VOLCANO Series Coolers- Silent Boost



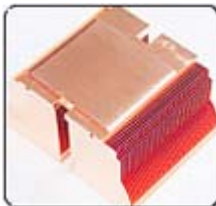
**A1889**

### Features

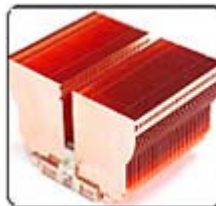
- >> Application for **AMD Athlon XP up to 3400+**
- >> **Fan:** High performing "**Hydro Wave Bearing**" fan, increase airflow by intake air from multi-directional
- >> **Heatsink:** All copper base, **more surface area** provides better heat transfer
- >> Unique fan frame design **significantly reduce the noise level.**
- >> 3-Point metal clip



### Detail Information



All copper base



**more surface area** provides better heat transfer



3-Point metal clip



Unique fan frame design **significantly reduce the noise level**



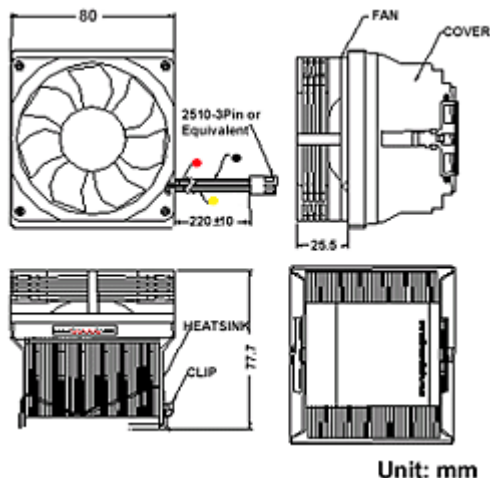
>> Multi-directional air intake increases airflow while keeping the relative noise at minimal.  
 >> **High performing "Hydro Wave Bearing" fan.** decreases bearing wear

Package View

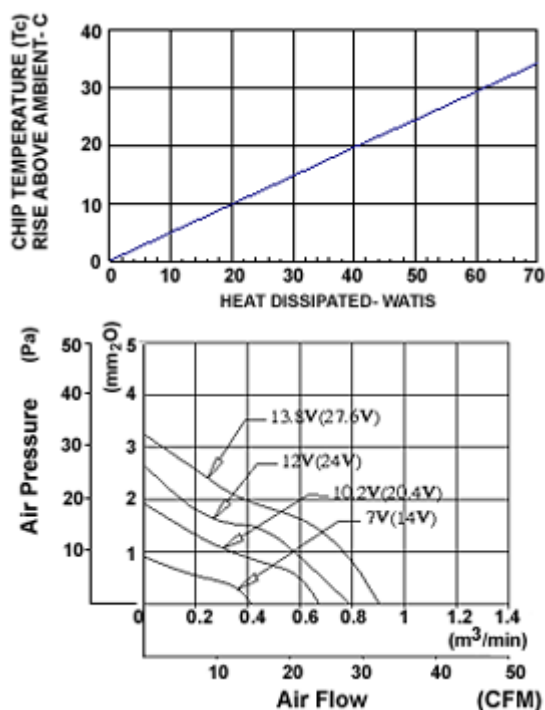
and extends the MTBF (Mean Time between Failures)



**Dimension**



**Thermal Analysis**



**Detail Specifications**

P/N	<b>A1889</b>	Fan Speed	2450±10% RPM
Fan Dimension	80x80x25 mm	Max Air Flow	27.5 CFM
Heatsink Dimension	82x70x49 mm (41 fins)	Air Pressure	25.97 Pa-min
Rated Voltage	12V	Noise	21 dBA
Started Voltage	7V	Bearing Type	<b>Hydro Wave Bearing</b>
Rated Current	0.13A	Life Expectation	<b>50,000 hours</b>
Power Input	1.56W	Connector	3 PIN

Copyright © 2003 Thermaltake Technology Co., Ltd. All Rights Reserved.  
 "Tt", Thermaltake, ThermalTake are trademarks of Thermaltake Technology Co., Ltd.  
 All other registered trademarks belong to their respective companies.